



GRUPO GOMUR

Your leading industrial partner





GRUPO GOMUR

Your leading industrial partner

COMPLETE PROJECTS – PLUG&PLAY PRODUCTS

SCOPE OF WORK → Manufacturing of any kind of plug&play product for all kind of industries / NDT / Dimensional reports / Surface treatment (painting and/or metallizing) / Performing of pressure tests / Manual adjustment / Hydraulic and mechanical assembly...

MATERIALS → Steel / Casted steel / Casted iron / Welding...



GRUPO GOMUR

Your leading industrial partner

**Complete fabrication and assembly
of the bearing housings of a rotary
kiln**



**UPPER PART: welding
constructed, machined and
painted. Made of steel**

**LOWER PART: machined and
painted. Made of casted steel or
casted iron**



GRUPO GOMUR

Your leading industrial partner

Complete fabrication and assembly of the bearing housings of a rotary kiln



SPHERICAL BODY: Machined and painted. Adjusted manually with the lower part. Made of casted steel or casted iron. It also has steel plates welded to the casting

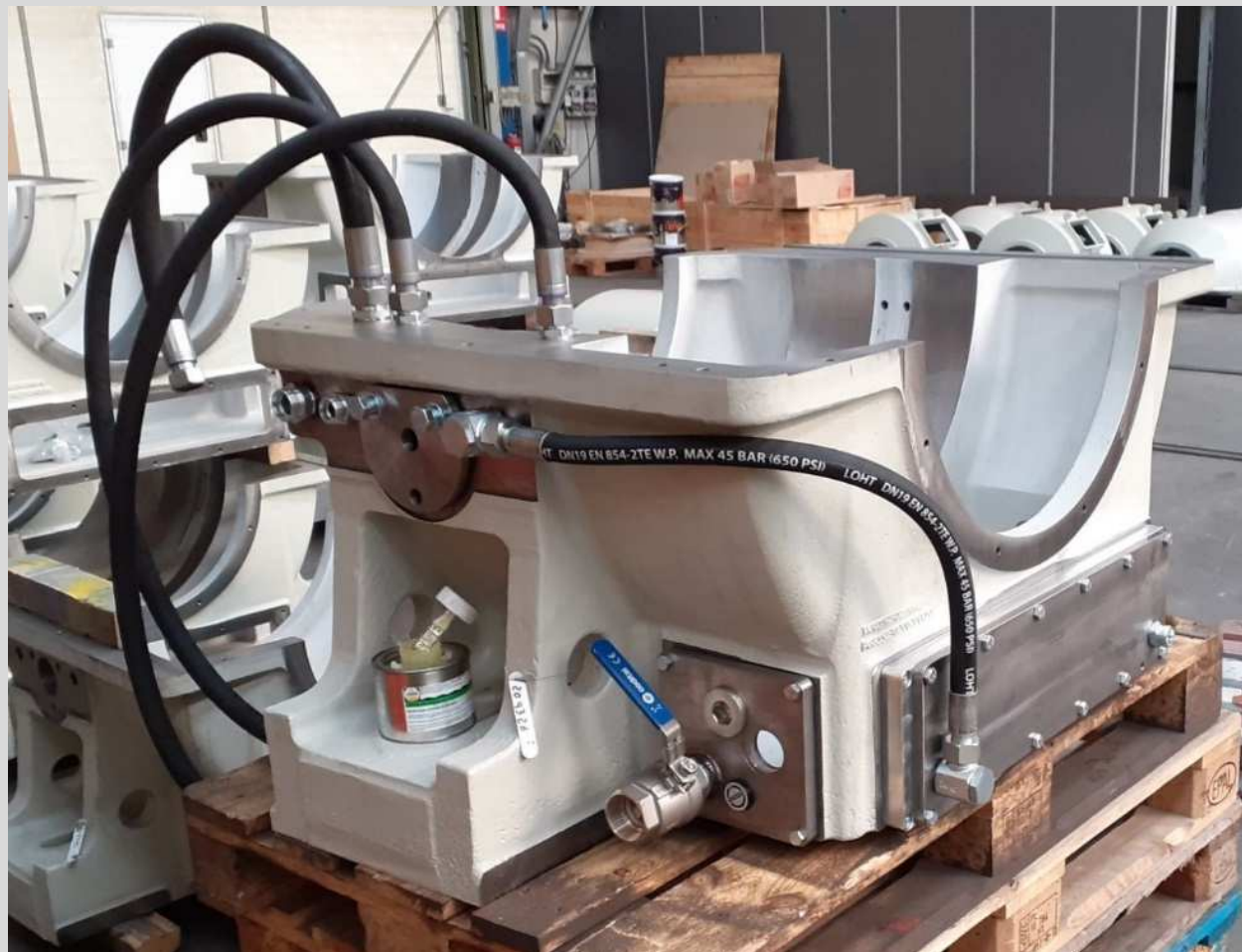




GRUPO GOMUR

Your leading industrial partner

**Complete fabrication and assembly of the bearing housings
of a rotary kiln**



Hydraulic and mechanical assembly



Pressure test of the assembly



GRUPO GOMUR

Your leading industrial partner

SPECIAL-PURPOSE MACHINES

SCOPE OF WORK → Engineering and manufacturing all kinds of machines for all kind of industries / NDT / Dimensional reports / Surface treatment (painting and/or metallizing)

PARTS → Machines (using own engineering or according to customer's drawings)

MATERIALS → Steel



GRUPO GOMUR

Your leading industrial partner



**Construction
of a winding
machine for a
motor
manufacturing
company**



GRUPO GOMUR

Your leading industrial partner





GRUPO GOMUR

Your leading industrial partner

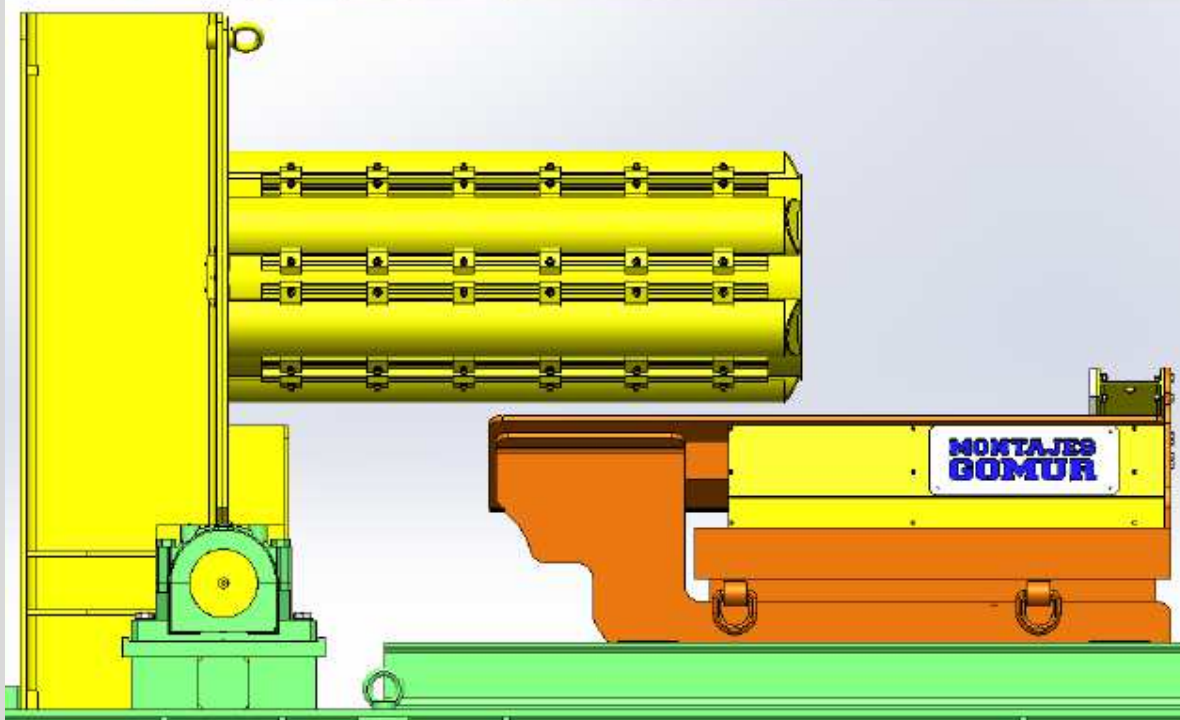
Manufacturing of a motor frame for a gearbox test bench for a wind turbine manufacturer





GRUPO GOMUR

Your leading industrial partner

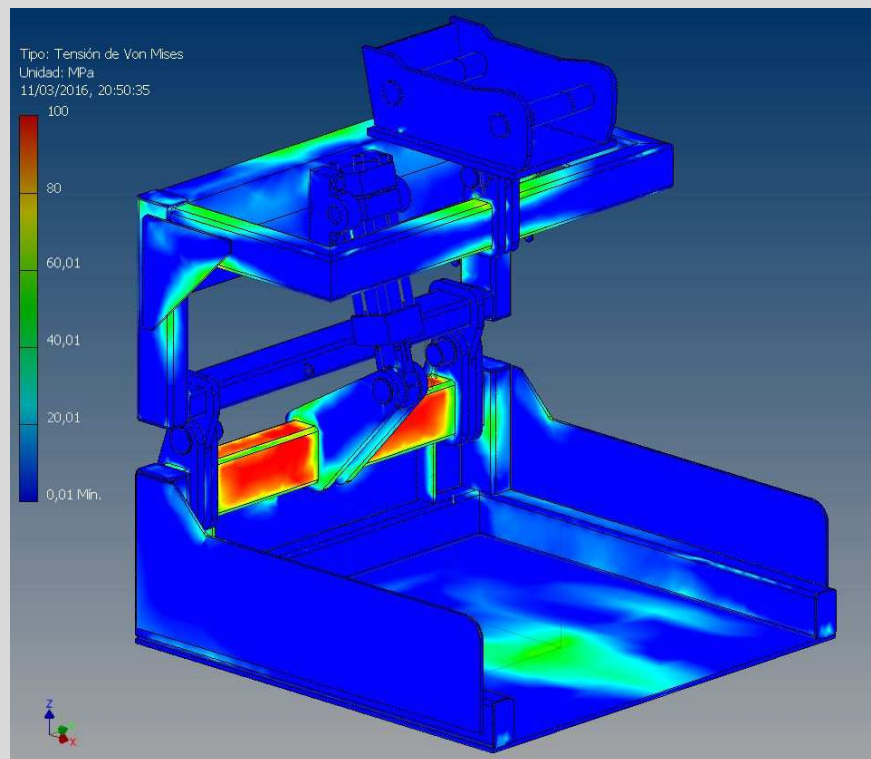


Engineering and construction of a turning device for a steel&iron company



GRUPO GOMUR

Your leading industrial partner



Engineering and
manufacturing of a ladle for
a steel&iron company



GRUPO GOMUR

Your leading industrial partner

Weighing machine for a steel&iron company





GRUPO GOMUR

Your leading industrial partner



Construction of a larry for a foundry



GRUPO GOMUR

Your leading industrial partner

Manufacturing of a feed table
for a furnace of a foundry





GRUPO GOMUR

Your leading industrial partner

Construction
of a tide tank
for the
Instituto de
Hidráulica de
Cantabria





GRUPO GOMUR

Your leading industrial partner



Manufactured
hoppers for the agri-
food sector



GRUPO GOMUR

Your leading industrial partner



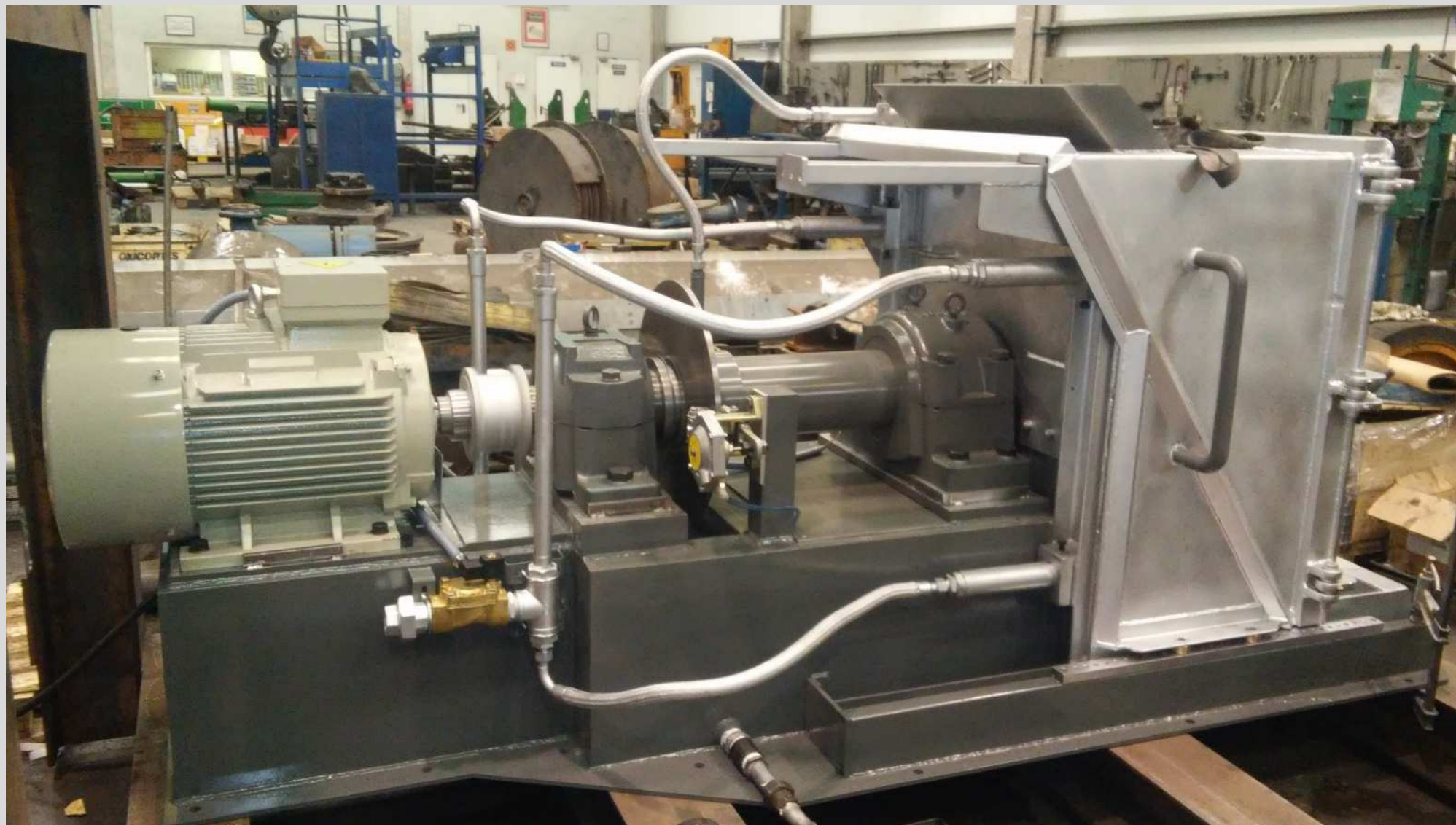
**Construction of a roller path
for the canning sector**



GRUPO GOMUR

Your leading industrial partner

Sleeve centrifuge machine built for a manufacturer of packaging machines





GRUPO GOMUR

Your leading industrial partner

Test bench for a manufacturer of railway carriages and locomotives





GRUPO GOMUR

Your leading industrial partner



**Welding
construction,
machining and
painting of a
machine's bench**



GRUPO GOMUR

Your leading industrial partner



**Welding
construction,
machining and
painting of a buffer
stop for a railway
company**



GRUPO GOMUR

Your leading industrial partner



**Construction,
machining and
painting of a tool
to check the
alignment of bolts
or rods**



GRUPO GOMUR

Your leading industrial partner



**Construction
of a silo in
stainless steel
for a plastics
manufacturing
company**



GRUPO GOMUR

Your leading industrial partner



**Construction
of a lifting
tool for a
civil
engineering
company**



GRUPO GOMUR

Your leading industrial partner



Different stages during the manufacturing of a furnace



GRUPO GOMUR

Your leading industrial partner



**Different elements
from the same furnace**



GRUPO GOMUR

Your leading industrial partner



**Special machine
custom made
according to
customer's
indications for a
steel&iron customer**



GRUPO GOMUR

Your leading industrial partner



**Welding construction
of a frame for the
machine tool sector**



GRUPO GOMUR

Your leading industrial partner



**Construction of a
turning device for
the nuclear sector**



GRUPO GOMUR

Your leading industrial partner



**Construction of a
handling tool for
the wind energy
industry**



GRUPO GOMUR

Your leading industrial partner



Specialists in the design and construction of any kind of lifting/handling tool for your sector



www.grupogomur.com

GRUPO GOMUR
Your leading industrial partner

THANKS FOR YOUR ATTENTION

Victoria Fernández

Export Manager - Grupo Gomur

Email: vfernandez@grupogomur.com

Teléf. +34 657 806 661

Watch our corporate video in the following link:

<https://www.youtube.com/watch?v=HwNyG8oogOY>